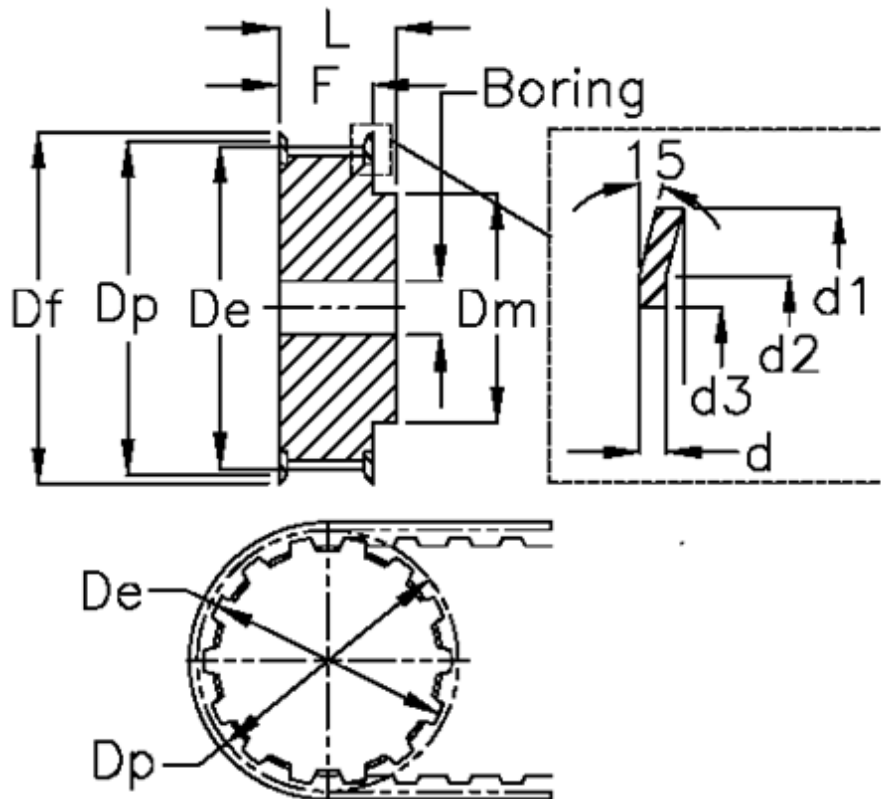


Article number: 60415127026

Description: Timing Belt Pulley 27 T5 26/2

## Measures



Belt width = - 16 mm	$D_p$	= 41.6
$d$ = 1	$F$	= 21
$d_1$ = 44	Flange type	= F17
$d_2$ = 40.5	$L$	= 27
$d_3$ = 32.5	Pre-drilled	= 6
$D_e$ = 40.6	Tooth number	= 26
$D_f$ = 44	Type	= T5
$D_m$ = 26	Weight	= 0.085